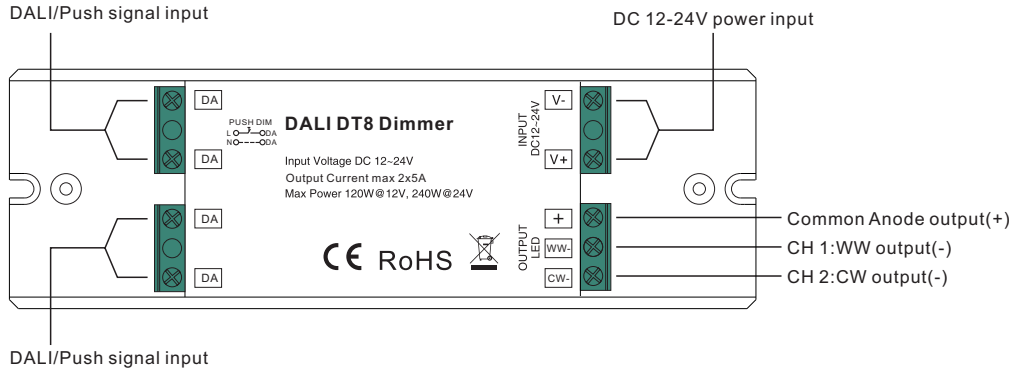


# AIRAM DALI DT8 Dual Color LED Dimmer 4016101



**Important:** Read All Instructions Prior to Installation

## Function introduction



## Product Data

Input Voltage	Output Current	Output Power	Remarks	Size(LxWxH)	DALI Consumption	Dimming Range	Ambient Temperature
12-24VDC	2x5A	2x(60-120)W	Constant voltage	145x46.5x16mm	2mA	0.1%-100%	-20°C ~ +50°C

- In compliance with IEC 62386-101:2014, IEC 62386-102:2014, IEC 62386-207 Ed2, IEC 62386-209:2011
- Built-in DALI-2 interface, DALI DT8 device
- DALI DT8 device to control Warm White and Cool White output via a single DALI address
- 2 Channels constant voltage output with max. 5A per channel
- Enables Dimming and Color Temperature Adjustment
- Color control as defined in the DALI specification for device type 8, color type Tc.
- Supports DT8 device commands, compatible with DALI masters that support DT8 commands
- Configuration via DALI master USB interface
- Waterproof grade: IP20

## Safety & Warnings

- DO NOT install with power applied to device.
- DO NOT expose the device to moisture.

## Operation

### 1. DALI Address Assignment

DALI address is assigned by DALI Master controller automatically, please refer to user manuals of compatible DALI Masters for specific operations.

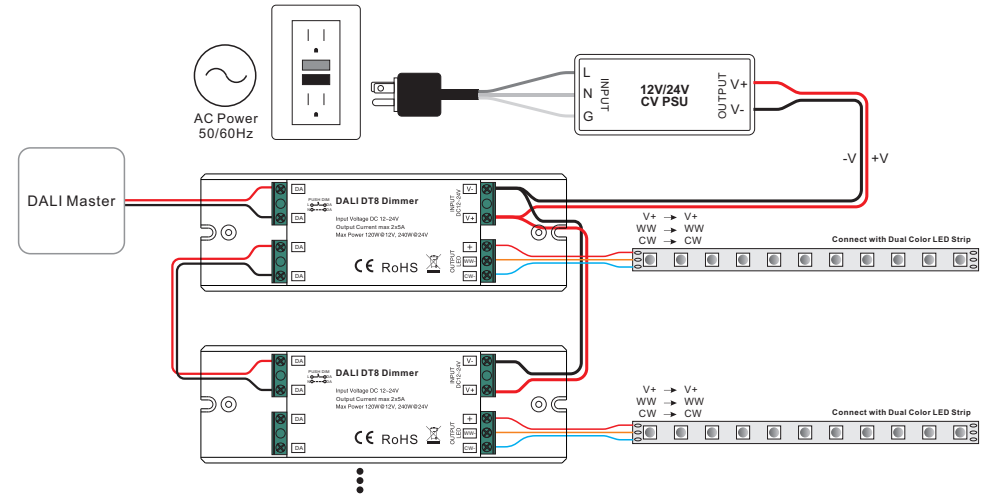
### 2. Push Dimmer Mode

While connected with a AC push switch, the digital display will show "PD" which means Push Dimmer Mode, operations under Push Dimmer Mode are as follows:

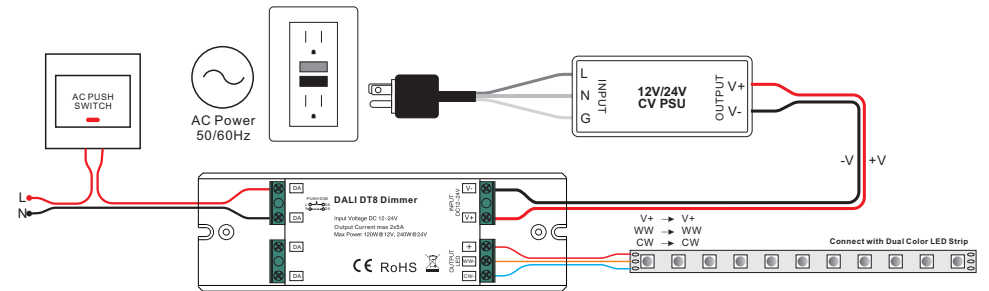
- 2.1. Click the button to switch ON/OFF
- 2.2. Press and hold down the button to increase or decrease light intensity to desired level and release it, then repeat the operation to adjust light intensity to opposite direction. The dimming range is from 1% to 100%.
- 2.3. Memory function after power off or power failure enables the device to memorize the status before power off while power on again.

## Wiring diagram

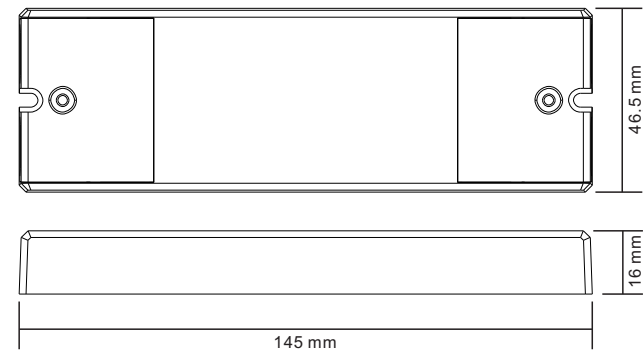
### 1. With DALI Bus



### 2. With Push Dimmer



## Product Dimension



## Conformity & Standards

- Radio Frequency Interference according to EN 55015:2013/A1:2015
- Immunity standard according to EN 61547:2009
- TÜV SÜD marked, CE marked