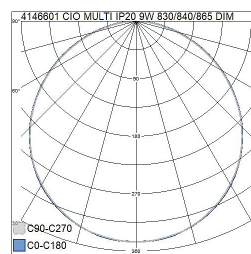
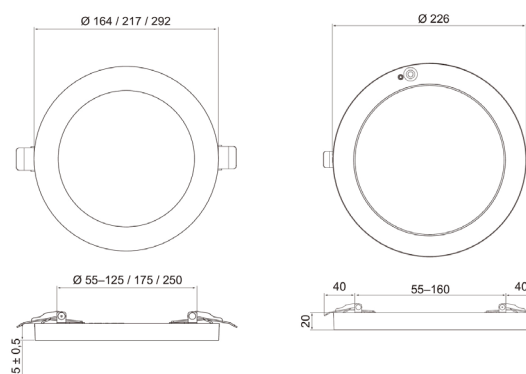




Cio Multi

Cio Multi is a low-profile, lightweight panel luminaire with a changeable colour temperature, suitable for both surface and semi-recessed mounting. The colour temperature is selected from the three options available prior to installation. Cio Multi is suitable for dry spaces in residential buildings and public spaces, and it is an excellent solution for renovation projects. The luminaire also features a handy adjustable spring clip, which makes it suitable for installation into mounting hole with a diameter ranging from 55 mm to 250 mm, depending on the size of the product. The PIR model included in the range is particularly suitable for hallways and porches. The luminaires are dimmable (excluding the PIR model). Available in three housing sizes.

- Polycarbonate body and opal polycarbonate diffuser.
- White RAL 9003.
- Protection class II.
- Surface or semi-recessed mounting.
- Fixed connecting wire 2 x 0.75 mm². Not linkable.
- Installation height 2–5 m.
- Colour temperatures: 3,000 K, 4,000 K and 6,500 K (selectable from the luminaire). CRI > 80 / Ra > 80.
- IP20/20.
- IK03.
- Fixed LED: 9 W / 500 lm, 12 W / 1,000 lm, 16 W / 1,500 lm. The PIR model: 12 W / 1,000 lm.
- Dimming: rising- and trailing-edge control and Casambi.
- Ambient temperature range 0 ... 25 °C.
- Rated lifetime L70 50,000 h (Ta25°C).



By order, • in stock

Cio Multi Dim

NO.	CODE		W	LM
• 4146601	A1CIOA	IP20 9W 830/840/865 DIM WH	9	500
• 4146602	A1CIOB	IP20 12W 830/840/865 DIM WH	12	1000
• 4146603	A1CIOC	IP20 16W 830/840/865 DIM WH	16	1500

Cio Multi Sensor

NO.	CODE		W	LM
• 4146604	A1CIOD	IP20 12W 830/840/865 PIR WH	12	1000

Cio Multi Casambi

NO.	CODE		W	LM
	A1CIOA-CA	IP20 9W 830/840/865 CA WH	9	500
	A1CIOB-CA	IP20 12W 830/840/865 CA WH	12	1000
	A1CIOC-CA	IP20 16W 830/840/865 CA WH	16	1500



Adjustable spring clip.



Pir-model 12W.

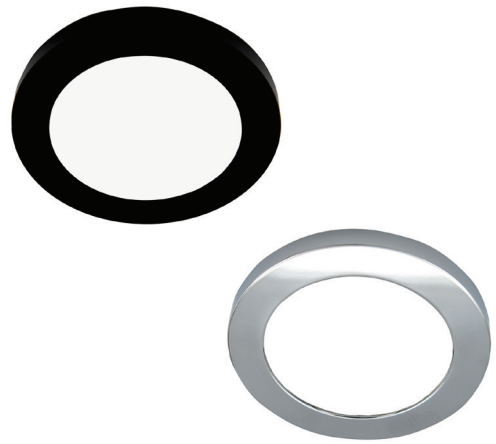




Cio Multi Accessories

Decorative ring

A decorative ring is available as an accessory for the Cio Multi range. It offers an easy and quick way to change the colour of the luminaire. The ring is available in black or chrome colour for all basic models (excluding the PIR model). The decorative ring is attached to the surface of an installed light. With the frame's magnet, you can attach the decorative ring quickly, seamlessly, and firmly in place.



• In stock

Cio Multi accessories

NO.	CODE	
• 4146662	A1CIOE	Decorative ring 164 mm BK
• 4146663	A1CIOf	Decorative ring 164 mm CR
• 4146664	A1CIOG	Decorative ring 217 mm BK
• 4146665	A1CIOH	Decorative ring 217 mm CR
• 4146666	A1CIOI	Decorative ring 292 mm BK
• 4146667	A1CIOJ	Decorative ring 292 mm CR