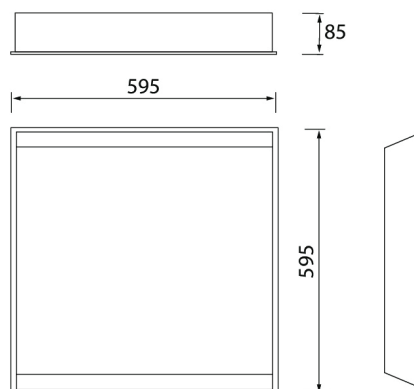




Medic

A special lighting solution for hospitals, industrial kitchens, and other public-space applications where IP65 protection and additional durability are required. Recessed mounting on a T-grid ceiling. The Medic luminaires have been certified in accordance with ISO 14644-1 standard and they have been granted the ISO 3 cleanroom classification.

- Steel housing and opal or micro-prismatic polystyrene diffuser (PSO or PSMP).
- White RAL9016.
- Protection class I.
- Recessed mounting.
- Linkable, 3/5 x 2.5 mm²
- The luminaire comes with IP65-classified connectors.
- Installation height: 2–5 m.
- Fixed LED: 23–55 W / 3,100–6,500 lm.
- Colour temperatures: 3,000 K and 4,000 K. CRI > 80 / Ra > 80.
- MacAdam 3 SDCM.
- IP65.
- The standard range includes On/Off and Dali-2 models.
- Ambient temperature range: 0 ... 25 °C.
- Rated lifetime: L70 100,000 h (Ta 25 °C).
- Rated lifetime: L80 65,000 h (Ta25°C).
- The luminaire has an integrated power source. Power source lifespan: 100,000 h.
- Accessories: surface-mounting frame 600x600/143 mm (4245223) and recessed mounting frame 600x600 mm (4297811).
- WH = white, DA2 = Dali-2, PS = polystyrene, O = opal, MP = micro-prismatic optics.
- Also available as Casambi, 1–10 V and Switch Dim solutions. The colour temperature options available are: 2,700 K, 5,700 K and 6,500 K as well as Tunable White. CRI > 90 available by special order. Also available with various connecting wire solutions. The product can be customised for different efficacies. A model with 300x1200 mm and with an opal polycarbonate (PCO) diffuser is available by special order.



By order, • in stock

Medic on/off opal

NO.	CODE	W	LM
4222799	D2MEAA IP65 23W/830 PSO WH	23	3100
4245200	D2MEAB IP65 23W/840 PSO WH	23	3100
4245203	D2MEAC IP65 32W/830 PSO WH	32	4100
4245204	D2MEAD IP65 32W/840 PSO WH	32	4100
4245207	D2MEAE IP65 55W/830 PSO WH	55	6500
4245208	D2MEAF IP65 55W/840 PSO WH	55	6500

Medic on/off microprismatic

NO.	CODE	W	LM
4245211	D2MECA IP65 23W/830 PSMP WH	23	3100
4245212	D2MECB IP65 23W/840 PSMP WH	23	3100
• 4245215	D2MECC IP65 32W/830 PSMP WH	32	4100
4245216	D2MECD IP65 32W/840 PSMP WH	32	4100
4245219	D2MECE IP65 55W/830 PSMP WH	55	6500
4245220	D2MEFF IP65 55W/840 PSMP WH	55	6500

Medic Dali opal

NO.	CODE	W	LM
4245201	D2MEBA IP65 23W/830 DA2 PSO WH	23	3100
4245202	D2MEBB IP65 23W/840 DA2 PSO WH	23	3100
4245205	D2MEBC IP65 32W/830 DA2 PSO WH	32	4100
4245206	D2MEBD IP65 32W/840 DA2 PSO WH	32	4100
4245209	D2MEBE IP65 55W/830 DA2 PSO WH	55	6500
4245210	D2MEBF IP65 55W/840 DA2 PSO WH	55	6500

Medic Dali microprismatic

NO.	CODE	W	LM
4245213	D2MEDA IP65 23W/830 DA2 PSMP WH	23	3100
4245214	D2MEDB IP65 23W/840 DA2 PSMP WH	23	3100
• 4245217	D2MEDC IP65 32W/830 DA2 PSMP WH	32	4100
4245218	D2MEDD IP65 32W/840 DA2 PSMP WH	32	4100
4245221	D2MEDE IP65 55W/830 DA2 PSMP WH	55	6500
4245222	D2MEDF IP65 55W/840 DA2 PSMP WH	55	6500

