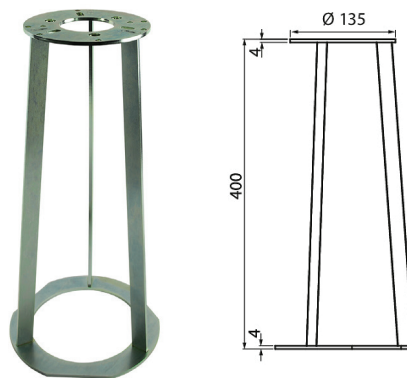




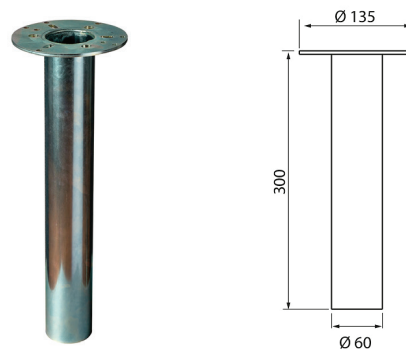
Mounting accessories

Mounting tubes and ground mounting tubes are available for bollard luminaires. Ground mounting tubes are meant to be used together with a concrete base to ensure that the luminaire is firmly mounted. The mounting tube is installed directly into the ground and the luminaire is attached to it.

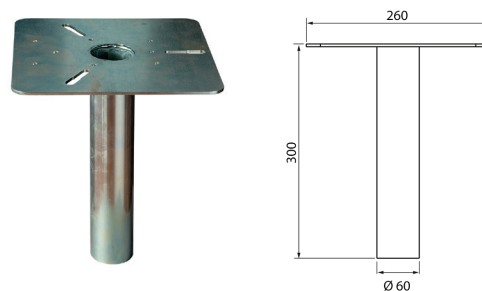
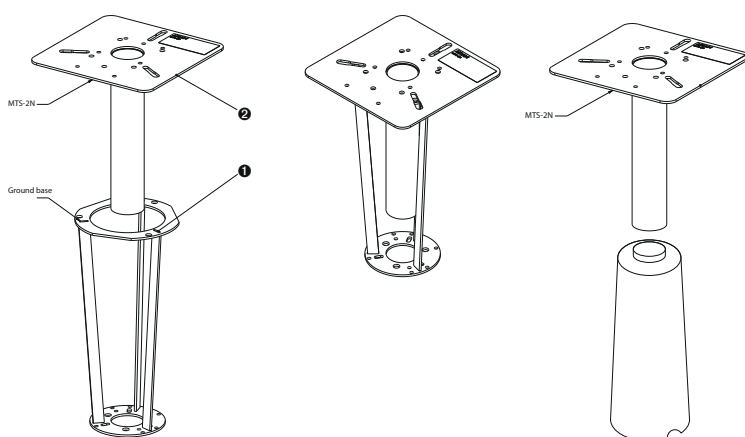
- Mounting tube P:
 - Käpylä, Kallio, Park, Kartano Bollard, Flen
 - Length 400 mm, stainless steel.
- Ground mounting tube MTS-2N:
 - Kartano, DM4 Stelo, Greta Mini and Big, Ares, Olympos.
 - Length 300 mm, ø 60 mm, stainless steel.
- Ground mounting tube MTS-2P:
 - Käpylä, Kallio, Park, Flen
 - Length 300 mm, ø 60 mm, stainless steel.



4107104 Ground Support Round



4107058 Ground Support MTS-2P



4146704 Ground support MTS-2N

• In stock

Mounting accessories

NO.	CODE
• 4107104	A1PUBX Ground Support Round
• 4107058	A1PUAX Ground Support MTS-2P
• 4146704	A1MTSA Ground support MTS-2N