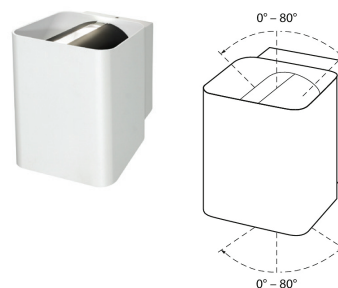
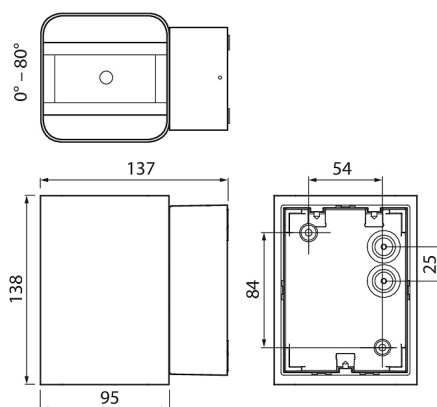




Näsby Double

The compact Näsby Double LED wall luminaire suits many architectural styles. The Näsby's light beams point both up and down, which allows you to highlight the wall surfaces and structures of your building's facade, for example. The fixture is also suitable for indoor spaces such as staircases and hallways. You can quickly change the look by adjusting the width of the light beams. The manually adjustable beam limiters have a range of 0–80°. Colour temperature of either 3,000 K or 4,000 K.

- Body made of aluminium.
- White and anthracite.
- Wall surface mount.
- Spring terminal blocks, linkable 3 x 2.5 mm², knock outs from four directions.
- Colour temperatures 3,000 K and 4,000 K.
CRI > 80 / Ra > 80.
- IP54.
- Fixed LED 14W / 860 lm.
- Temperature of environment of use -20 ... 25 °C.
- Rated lifetime L70 30,000 h (Ta25°C).



• In stock

Näsby Double

NO.	CODE	W	LM
• 4508600	A1NBAE IP54 14W/830 WH	14	860
• 4508601	A1NBAF IP54 14W/830 ANT	14	860
• 4508602	A1NBAG IP54 14W/840 WH	14	860
• 4508603	A1NBAH IP54 14W/840 ANT	14	860